

Product availability : Stock - Normally stocked in distribution facility

Price* : 574.23 USD



Main

| | |
|---------------------------|--------------------|
| Range of product | Magelis STO & STU |
| Product or component type | Touch panel screen |
| Software designation | Vijeo Designer |
| Operating system | Magelis |
| Processor name | CPU ARM9 |

Complementary

| | |
|----------------------------|--|
| Display size | 3.5 inch |
| Display type | QVGA TFT colour touchscreen |
| Display colour | 65536 colours |
| Display resolution | 320 x 240 pixels QVGA |
| Touch panel | Analogue |
| Backlight lifespan | 50000 hours |
| Brightness | 16 levels |
| Character font | ASCII Chinese (simplified Chinese) Japanese (ANK, Kanji) Korean Taiwanese (traditional Chinese) |
| [Us] rated supply voltage | 24 V DC |
| Supply | External source |
| Supply voltage limits | 20.4...28.8 V |
| Inrush current | <= 30 A |
| Power consumption in W | 6.5 W |
| Number of pages | Limited by internal memory capacity |
| Processor frequency | 333 MHz |
| Memory description | Application memory, 16 MB Back up of data, 64 kB |
| Integrated connection type | 1 USB 2.0 type mini B 1 USB 2.0 type A Removable screw terminal block connector power supply Female RJ45 connector COM1 serial link with RS232C/RS485 interface at <= 115.2 kbits/s |
| Realtime clock | Access to the PLC real-time clock |
| Downloadable protocols | Modbus |

| | |
|--------------------|--|
| | Modbus TCP/IP Third party protocols Uni-TE |
| Fixing mode | Ø 22 mm hole |
| Enclosure material | PC/PBT |
| Marking | CE With Schneider logo |
| Height | 3.86 in (98.15 mm) |
| Width | 4.65 in (118 mm) |
| Depth | 2.18 in (55.3 mm) |

Environment

| | |
|---------------------------------------|--|
| Immunity to microbreaks | <= 10 ms |
| Standards | EN 61131-2 FCC Class A IEC 61000-6-2 UL 1604 UL 508 |
| Product certifications | C-Tick cULus UL class 1 Div2 T4A ou T5 Marine |
| Ambient air temperature for operation | 32...122 °F (0...50 °C) |
| Ambient air temperature for storage | -4...140 °F (-20...60 °C) |
| Relative humidity | 0...85 % without condensation |
| Operating altitude | <= 6561.68 ft (2000 m) |
| IP degree of protection | IP20 (rear panel) conforming to IEC 60529 IP65 (front panel) conforming to IEC 60529 |
| NEMA degree of protection | NEMA 4X front panel (indoor use) |
| Shock resistance | 15 gn 11 ms conforming to IEC 60068-2-27 |
| Vibration resistance | +/- 3.5 mm (f = 5...9 Hz) conforming to IEC 60068-2-6 1 gn (f = 9...150 Hz) conforming to IEC 60068-2-6 |
| Resistance to electromagnetic fields | 9.14 V/yd (10 V/m) conforming to IEC 61000-4-3 |

Ordering and shipping details

| | |
|-----------------------|------------------------------------|
| Category | 22569 - MAGELIS XBT-GT (AND XBT-G) |
| Discount Schedule | MC2 |
| GTIN | 00785901921387 |
| Nbr. of units in pkg. | 1 |
| Package weight(Lbs) | 1.21 |
| Returnability | Y |
| Country of origin | CN |

Offer Sustainability

| | |
|----------------------------|---|
| RoHS (date code: YYWW) | Compliant - since 1001 - Schneider Electric declaration of conformity Schneider Electric declaration of conformity |
| REACH | Reference not containing SVHC above the threshold Reference not containing SVHC above the threshold |
| California proposition 65 | WARNING: This product can expose you to chemicals including: |
| - - - - - Substance 1 | Lead and lead compounds, which is known to the State of California to cause cancer and birth defects or other reproductive harm. |
| - - - - - More information | For more information go to www.p65warnings.ca.gov |

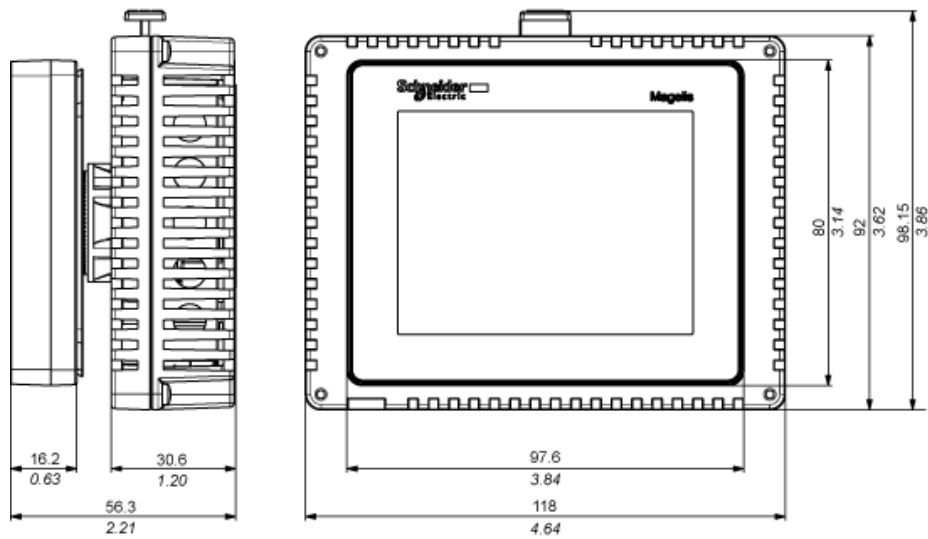
Contractual warranty

| | |
|-----------------|-----------|
| Warranty period | 18 months |
|-----------------|-----------|

Display and Rear Modules

Dimensions

mm
in.



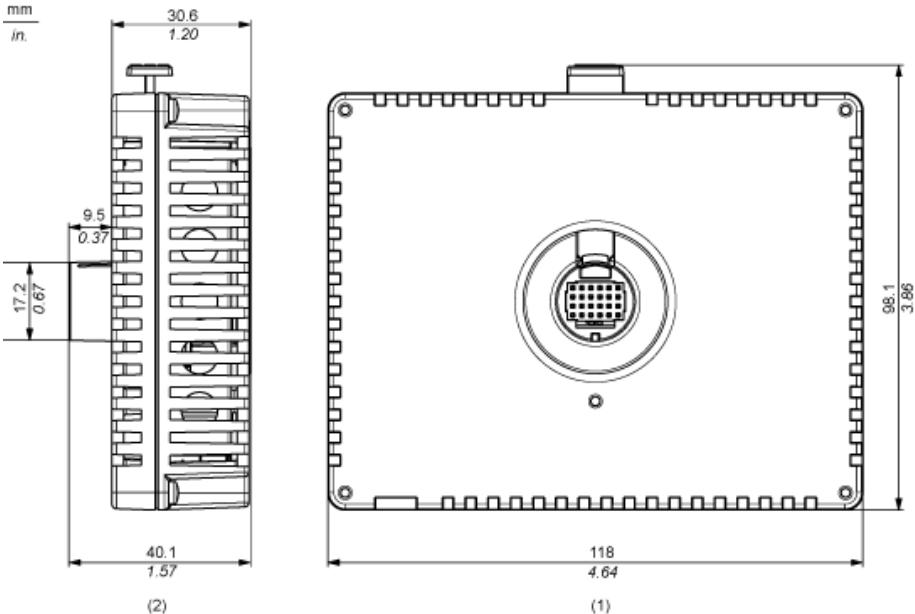
(2)

(1)

- (1) Right Side
- (2) Front

Rear Module

Dimensions

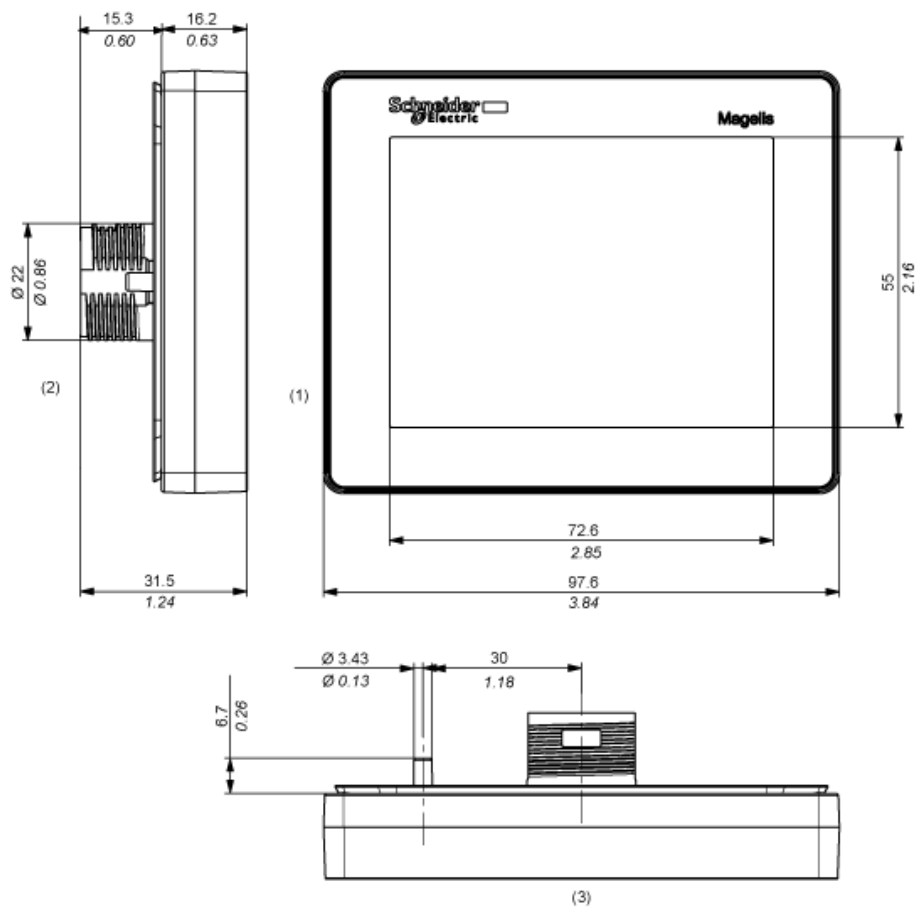


- (1) Front
- (2) Right Side

Display Module

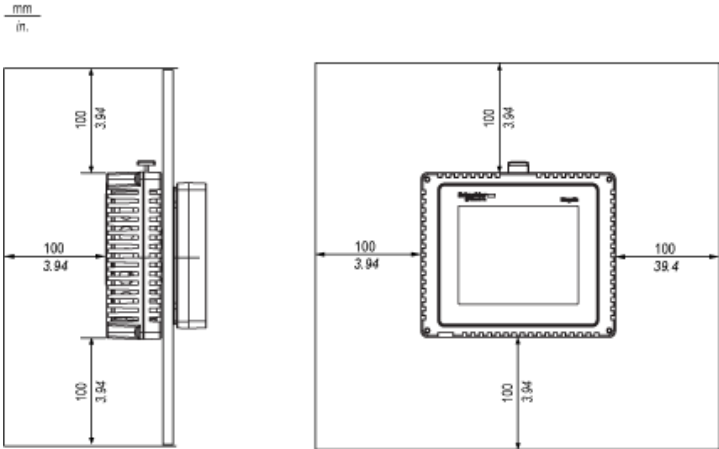
Dimensions

mm
in.

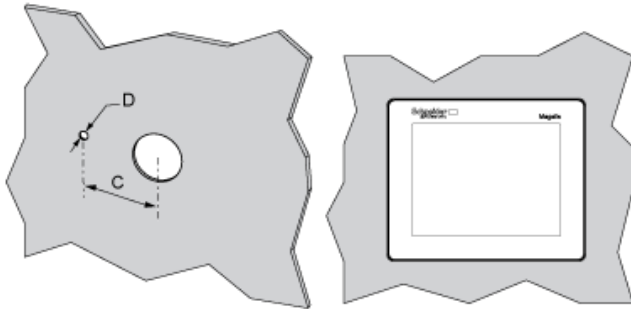


- (1) Front
- (2) Right Side
- (2) Top

Clearance



Panel Cut-out Dimensions



| C (mm) | C (in.) | D (mm) | D (in.) |
|--------|---------|--------|---------|
| +0 | +0 | +0 | +0 |
| 30.00 | 1.18 | 4.00 | 0.15 |
| -0.20 | -0.007 | -0.20 | -0.007 |

NOTE: With the tee option, the rotating torque that can be supported by the display module is 6 Nm (53.10 in-lb).