

Main

| | |
|---------------------------------------|--|
| Range of product | Magelis XBTGT |
| Product or component type | Advanced touchscreen panel |
| Display type | Backlit colour TFT LCD |
| Display colour | 65536 colours |
| Display resolution | 1024 x 768 pixels XGA |
| Display size | 15 inch |
| Software type | Configuration software |
| Software designation | Vijeo Designer |
| Operating system | Magelis |
| Processor name | CPU RISC |
| Processor frequency | 266 MHz |
| Memory description | 512 kB SRAM back up of data with lithium battery back-up |
| Resistance to electrostatic discharge | 6 kV conforming to IEC 61000-4-2 level 3 |
| Cut-out dimensions | 383.5 (+ 1/- 0) x 282.5 (+ 1/- 0) mm |

Complementary

| | |
|---------------------------|---|
| Touch sensitive zone | 1024 x 1024 |
| Touch panel | Analogue |
| Backlight lifespan | 50000 hours |
| Brightness | 8 levels via touch panel |
| Character font | ASCII (European characters) Japanese (ANK, Kanji) Korean Chinese (simplified Chinese) Taiwanese (traditional Chinese) |
| [Us] rated supply voltage | 24 V DC |
| Supply | External source |
| Supply voltage limits | 19.2...28.8 V |

Disclaimer: This documentation is not intended as a substitute for and is not to be used for determining suitability or reliability of these products for specific user applications

| | |
|------------------------|--|
| Inrush current | <= 30 A |
| Power consumption in W | 42 W |
| Local signalling | 1 LED with green or orange for normal operation or backlighting faulty |
| Number of pages | Limited by internal memory capacity |
| Downloadable protocols | FIPWAY Telemecanique Modicon Modbus Plus Telemecanique Modicon Modbus TCP Telemecanique Modicon Modbus Telemecanique Modicon Third party protocols Mitsubishi Melsec Third party protocols Omron Sysmac Third party protocols Rockwell Automation Allen-Bradley Third party protocols Siemens Simatic Uni-TE Telemecanique Modicon |
| Realtime clock | Built-in |
| Use of slot | For 1 fieldbus communication card (Device Net, Profibus DP) |
| Port Ethernet | 10BASE-T/100BASE-TX |
| Product mounting | Flush mounting |
| Fixing mode | By 8 screw clamps By 4 spring clips |
| Front material | Aluminium alloy |
| Enclosure material | Aluminium alloy |
| Marking | CE |
| Width | 395 mm |
| Height | 294 mm |
| Depth | 60 mm |
| Product weight | 5.6 kg |

Environment


| | |
|---------------------------------------|---|
| Immunity to microbreaks | <= 10 ms |
| Standards | UL 508 FCC Class A UL 1604 EN 61131-2 CSA C22.2 No 14 IEC 61000-6-2 |
| Product certifications | C-Tick UL Class 1 Division 2 T4A UL Class 1 Division 2 T5 CSA Class 1 Division 2 T4A cULus CSA Class 1 Division 2 T5 ATEX zone 2/22 |
| Ambient air temperature for operation | 0...50 °C |
| Ambient air temperature for storage | -20...60 °C |
| Relative humidity | 10...90 % without condensation |
| Operating altitude | < 2000 m |
| IP degree of protection | IP20 (rear panel) conforming to IEC 60529 IP65 (front panel) conforming to IEC 60529 |
| NEMA degree of protection | NEMA 4X front panel (indoor use) |
| Shock resistance | 15 gn for 11 ms conforming to IEC 60068-2-27 |
| Resistance to electromagnetic fields | 10 V/m conforming to IEC 61000-4-3 |
| Resistance to fast transients | 2 kV conforming to IEC 61000-4-4 level 3 |

Offer Sustainability

| | |
|--------------------------|---|
| Sustainable offer status | Green Premium product |
| RoHS (date code: YYWW) | Compliant - since 0613 - Schneider Electric declaration of conformity Schneider Electric declaration of conformity |
| REACH | Reference not containing SVHC above the threshold |

Reference not containing SVHC above the threshold

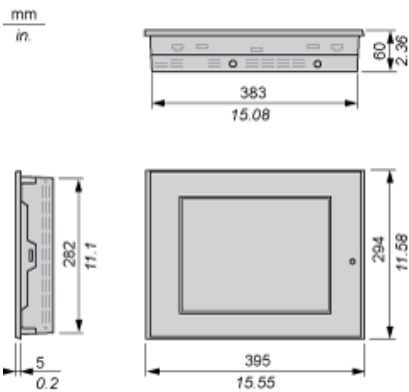
| | |
|-------------------------------|--|
| Product environmental profile | Available  Product environmental |
|-------------------------------|--|

| | |
|----------------------------------|---|
| Product end of life instructions | Available  End of life manual |
|----------------------------------|---|

Contractual warranty

| | |
|-----------------|-----------|
| Warranty period | 18 months |
|-----------------|-----------|

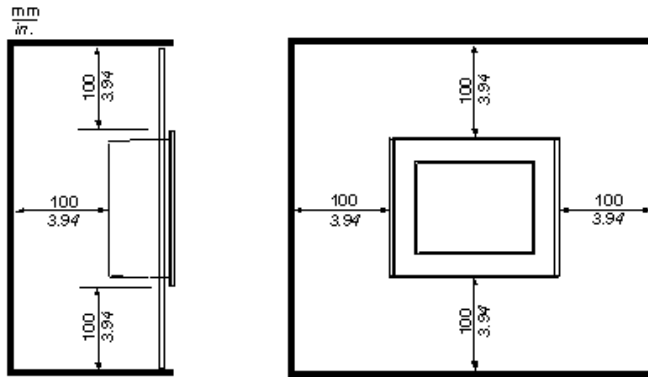
Dimensions



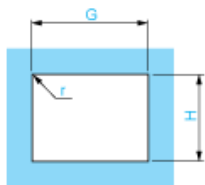
Clearance

Installation Requirements

For easier maintenance, operation and improved ventilation, be sure to install the unit at least 100 mm (3.94 in) away from adjacent structures and other equipment:



Panel Cut-out Dimensions



Dimensions in mm

| Graphic Display Terminal | Cut-out for Flush Mounting | | | |
|---|----------------------------|----------------|--------|-----------------|
| | H (-/+ 0.1 mm) | G (-/+ 0.1 mm) | r | Panel Thickness |
| XBTGT1105 XBTGT1135 XBTGT1335 | 92.5 | 118 | 3 max. | 1.6 ... 5 |
| XBTGT2110 XBTGT2120 XBTGT2130 XBTGT2220 XBTGT2330 | 123.5 | 156 | 3 max. | 1.6 ... 5 |
| XBTGT4230 XBTGT4330 XBTGT4340 | 159.5 | 204.5 | 3 max. | 1.6 ... 10 |
| XBTGT5230 XBTGT6330 XBTGT6340 | 227.5 | 301.5 | 3 max. | 1.6 ... 10 |
| XBTGT5330 XBTGT5340 | 201 | 259 | 3 max. | 1.6 ... 10 |
| XBTGT7340 | 282.5 | 383.5 | 3 max. | 1.6 ... 10 |

Dimensions in in.

| Graphic Display Terminal | Cut-out for Flush Mounting | | | |
|---|----------------------------|------------------|-----------|-----------------|
| | H (-/+0.004 in.) | G (-/+0.004 in.) | r | Panel Thickness |
| XBTGT1105 XBTGT1135 XBTGT1335 | 3.64 | 4.65 | 0.12 max. | 0.06 ... 0.20 |
| XBTGT2110 XBTGT2120 XBTGT2130 XBTGT2220 XBTGT2330 | 4.86 | 6.14 | 0.12 max. | 0.06 ... 0.20 |
| XBTGT4230 XBTGT4330 XBTGT4340 | 6.28 | 8.05 | 0.12 max. | 0.06 ... 0.39 |
| XBTGT5230 XBTGT6330 XBTGT6340 | 8.96 | 11.87 | 0.12 max. | 0.06 ... 0.39 |

| Graphic Display Terminal | Cut-out for Flush Mounting | | | |
|--------------------------|----------------------------|------------------|-----------|-----------------|
| | H (-/+0.004 in.) | G (-/+0.004 in.) | r | Panel Thickness |
| XBTGT5330 XBTGT5340 | 7.91 | 10.20 | 0.12 max. | 0.06 ... 0.39 |
| XBTGT7340 | 11.12 | 15.10 | 0.12 max. | 0.06 ... 0.39 |